

KP DUO

The KP DUO is a range of acoustically treated in-line centrifugal twin fans for internal and external mounting with aluminum profile casing. The direct driven KPD DUO ranges from 700 to 7000 m³/h while the standard range belt driven KPB DUO reaches 17 000 m³/h. Static pressures up to 700 Pa. A rectangular inlet and outlet allows an easy connection to ducts avoiding sudden pressure loss. 9 sizes are available from 450 to 1000 mm height. Suitable for operations up to 50°C.

Features & Benefits

Quiet operation

- Aluminum profile heavy duty casing with 15 mm isolation on galvanized steel panels
- Fan and motor supported on a metallic frame with built in vibration isolation

Quality impellers and motors

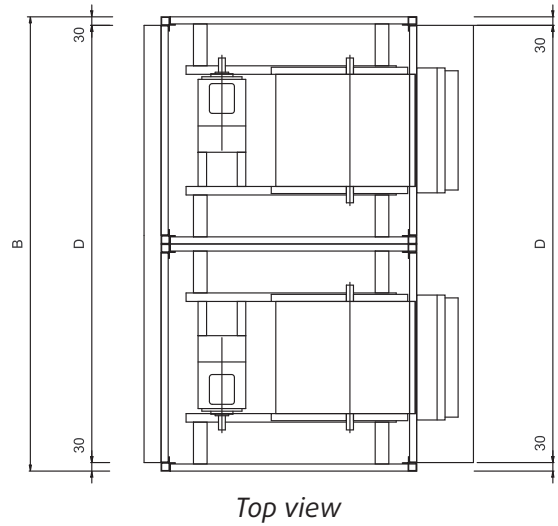
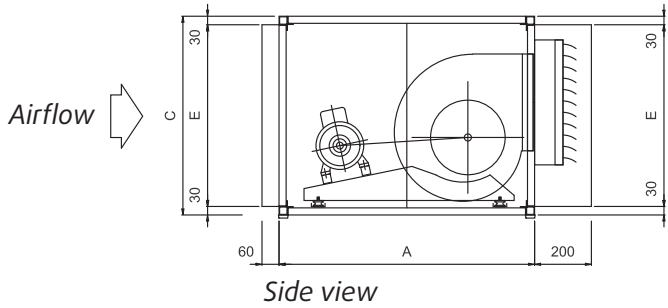
- Highly efficient forward curved double inlet galvanized steel impeller.
- IP 55 F Class motors, belt driven (three phase) IE2. Direct drive IP 54 F Class single phase except 12-12-D6.

Easy installation & maintenance

- IP 55 wired connection box for easy wiring of the two motors.
- Maintenance access door with lock and key.



Dimensions KPB DUO



KPB DUO Belt driven

	A	B	C	D	E
7/7	600	900	450	840	390
9/7	700	1100	550	1040	490
9/9	700	1100	550	1040	490
10/8	750	1300	600	1240	540
10/10	750	1300	600	1240	540
12/9	900	1600	700	1540	640
12/12	900	1600	700	1540	640
15/11	1000	1900	800	1840	740
15/15	1000	1900	800	1840	740
18/13	1150	2200	1000	2140	940
18/18	1150	2200	1000	2140	940

KPD DUO Direct driven

	A	B	C	D	E
7/7	450	900	450	840	390
9/7	500	1000	500	940	440
9/9	500	1000	500	940	440
10/8	550	1100	550	1040	490
10/10	550	1100	550	1040	490
12/9	630	1260	630	1200	570
12/12	630	1260	630	1200	570

Specification text

KVD

Direct driven box fan for inline operation and suitable for outdoor installations fitted with a forward curve double inlet impeller and IP 54 F Class motors. The casing is made of 1 mm thick galvanized steel. The impeller shall be fitted on 4 anti-vibration rubber plots and its outlet connected with the casing through a 18 mm thick rubber joint. An IP 55 connection box is fitted on the casing for easy installation.

Maximum temperature of the transported air: 50°C

KVB

Belt driven box fan for inline operation and suitable for outdoor installations fitted with a forward curve double inlet impeller and IP 55 F Class motors. The casing is made of 1 mm thick galvanized steel. The impeller and motor shall be fitted on a galvanized steel support with 4 anti-vibration rubber plots, the impeller's outlet connected with the casing through a 18 mm thick rubber joint. An IP 55 connection box is fitted on the casing for easy installation.

Maximum temperature of the transported air: 50°C

KPB

Belt driven box fan for inline or 90° operation suitable for outdoor installation fitted with a forward curve double inlet impeller and IP 55 F Class motors. The casing is made of aluminum profile structure and 1 mm galvanized steel panels fitted with 15 mm M1 polyurethane foam insulation. A maintenance door with polyamide hinge and key is located on the side of the box. The impeller and motor shall be fitted on a galvanized steel support with 4 anti-vibration rubber plots and the impeller's outlet connected with the casing through a 18 mm thick rubber joint.

Maximum temperature of the transported air: 50°C

KPD

Direct driven twin fan for inline operation suitable for outdoor installation fitted with a forward curve double inlet impeller and IP 55 F Class motors. The casing is made of aluminum profile structure and 1 mm galvanized steel panels fitted with 15 mm M1 polyurethane foam insulation. A maintenance door with polyamide hinge and key is located on the side of the box. The impeller shall be fitted on a galvanized steel support with 4 anti-vibration rubber plots and its outlet connected with the casing through a 18 mm thick rubber joint.

Maximum temperature of the transported air: 50°C.

KPB Duo

Belt driven twin fan for inline operation suitable for outdoor installation fitted with a forward curve double inlet impeller and IP 55 F Class motors. The casing is made of aluminum profile structure and 1 mm galvanized steel panels fitted with 15 mm M1 polyurethane foam insulation. A maintenance door with polyamide hinge and key is located on the side of the box. The impeller and motor shall be fitted on a galvanized steel support with 4 anti-vibration rubber plots and the impeller's outlet connected with the casing through a 18 mm thick rubber joint.

Maximum temperature of the transported air: 50°C. An IP 55 connection box for both motors is fitted on the casing.

KPD Duo

Direct driven twin fan for inline operation suitable for outdoor installation fitted with a forward curve double inlet impeller and IP 55 F Class motors. The casing is made of aluminum profile structure and 1 mm galvanized steel panels fitted with 15 mm M1 polyurethane foam insulation. A maintenance door with polyamide hinge and key is located on the side of the box. The impeller shall be fitted on a galvanized steel support with 4 anti-vibration rubber plots and its outlet connected with the casing through a 18 mm thick rubber joint.

Maximum temperature of the transported air: 50°C. An IP 55 connection box for both motors is fitted on the casing.

The characteristics of the equipment described in this catalogue (e.g., sizes, features, etc.) may be modified without prior notice.

The catalogues published by SYSTEMAIR are reviewed and amended whenever necessary and any such modifications are made in new editions. The catalogue edition is printed on the inside back cover and the user is responsible for using the latest edition.

Please visit our website at <http://www.systemair.es>