

Jet Fan AJR

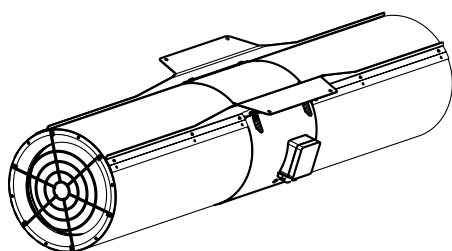
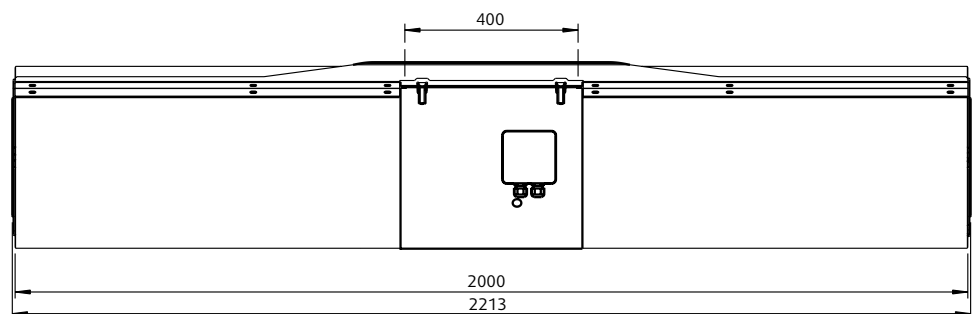
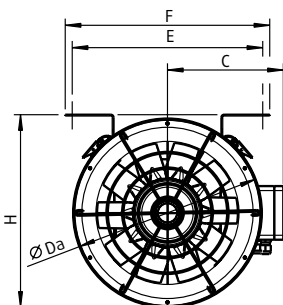


- Dual use: For daily ventilation and smoke extraction in case of fire F300 (300°C/120 min.)
- Aerodynamical impellers for maximum thrust and with low sound level
- Motors IP54, insulation class H (smoke extract); motors IP55, insulation class F (CO-exhaust), according to EN 60045-5/IEC 85
- Tested inspection switch optional
- Casing manufactured from galvanized steel
- Removable fan module also after installation for easy maintenance
- Certified to EN 12101-3
- CE-certification by TÜV Süd
- Approved by DIBt in Berlin under Z-78.11-182

Technical data:

Jet fan AJR 400V/50Hz	Thrust	Air volume	Motor rated power	Motor rated current	Speed	Sound level 3 m, from center of casing	Weight	Temperature
	N	m ³ /h	kW	A	rpm	LpA dB	kg	
AJR 315-2	23	4400	0,75	1,99	2900	62	78	55°C
AJR 315-2/4	23/6	4400/2200	0,75/0,17	2,14/0,75	2860/1420	62 / 47	80	55°C
AJR 355-2	37	6300	1,1	2,5	2900	69	84	55°C
AJR 355-2/4	37/9	6300/3150	1,4/0,3	3,13/1,11	2880/1430	69 / 54	86	55°C
AJR 400-2	55	7700	1,5	3,3	2840	73	93	55°C
AJR 400-2/4	55/11	7700/3850	1,9/0,4	4,18/1,47	2885/1435	73 / 58	95	55°C
AJR 315-2 (B)	23	4400	0,75	1,8	2900	62	78	300°C/120 Min.
AJR 315-2/4 (B)	23/6	4400/2200	0,75/0,15	1,6/0,4	2880/1450	62 / 47	80	300°C/120 Min.
AJR 355-2 (B)	37	6300	1,1	2,5	2870	69	84	300°C/120 Min.
AJR 355-2/4 (B)	37/9	6300/3150	1,3/0,25	3,1/0,68	2905/1460	69 / 54	86	300°C/120 Min.
AJR 400-2 (B)	55	8700	1,5	3,2	2870	73	93	300°C/120 Min.
AJR 400-2/4 (B)	55/11	8700/4350	1,8/0,37	3,9/0,95	2880/1455	73 / 58	95	300°C/120 Min.

Dimensions:

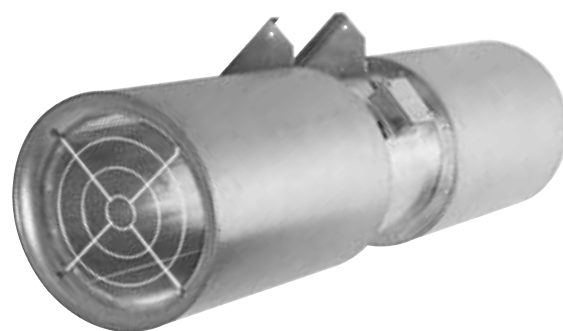


Size	ØDa	H	E	C	F
315	422	431	426,2	259	457,5
355	462	471	444,7	280	476
400	502	513	510	303	540

All dimensions in mm.

Jet Fan AJR-TR

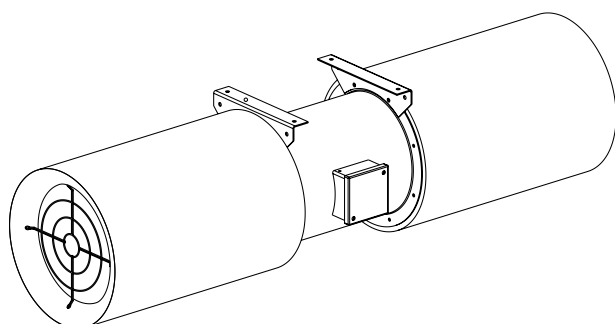
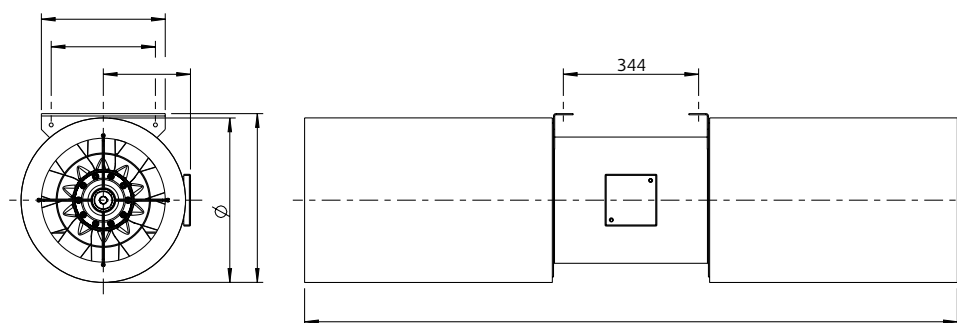
- Dual use: For daily ventilation and smoke extraction in case of fire F300 (300°C/120 min.); F400 (400°C/120 min.)
- Symmetrical blades; 100% reversible with low sound level
- Motors IP54, insulation class H (smoke extract); Motors IP55, insulation class F (CO-exhaust), according to EN 60045-5/IEC 85
- 60 Hz range available
- Tested inspection switch optional
- Casing manufactured from galvanized steel
- Certified to EN 12101-3
- CE-certification by TÜV Süd



Technical data:

Jet fan AJR-TR 400V/50Hz	Thrust	Air volume	Motor rated power	Motor rated current	Speed	Sound level 3 m, from center of casing	Weight	Temperature
	N	m ³ /h	kW	A	rpm	LpA dB	kg	
AJR 315-2-TR	22	4400	0,75	1,8	2900	60	50	55°C
AJR 315-2/4-TR	22/6	4400/2200	0,75/0,17	1,74/0,63	2860/1420	60 / 45	52	55°C
AJR 355-2-TR	37	6400	1,5	3,3	2840	66	65	55°C
AJR 355-2/4-TR	37/9	6400/3200	1,4/0,3	3,13/1,11	2880/1440	66 / 51	67	55°C
AJR 400-2-TR	55	8700	1,5	3,3	2840	72	83	55°C
AJR 400-2/4-TR	55/14	8700/4350	1,9/0,4	4,18/1,47	2885/1435	72 / 57	85	55°C
AJR 315-2 (B)-TR	22	4400	0,75	1,65	2880	60	50	300°C/120 Min.
AJR 315-2/4 (B)-TR	22/6	4400/2200	0,75/0,12	1,8/0,4	2880/1440	60 / 45	52	300°C/120 Min.
AJR 355-2 (B)-TR	37	6400	1,5	3,6	2880	66	65	300°C/120 Min.
AJR 355-2/4 (B)-TR	37/9	6400/3200	1,5/0,25	3,6/0,7	2880/1440	66 / 51	67	300°C/120 Min.
AJR 400-2 (B)-TR	55	8700	1,5	3,6	2880	72	83	300°C/120 Min.
AJR 400-2/4 (B)-TR	55/14	8700/4350	1,5/0,25	3,6/0,7	2880/1440	72 / 57	85	300°C/120 Min.

Dimensions:



Size	ØDa	H	E	C	F	L
315	419	430	265	235	315	1660
355	459	497	305	255	355	1820
400	504	558	350	280	400	2000

All dimensions in mm.

Jet Fan AJ8



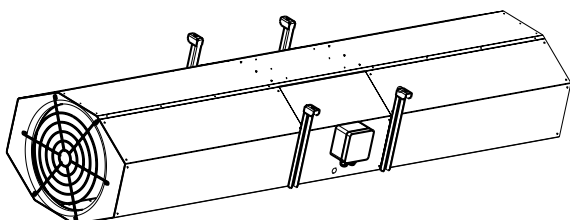
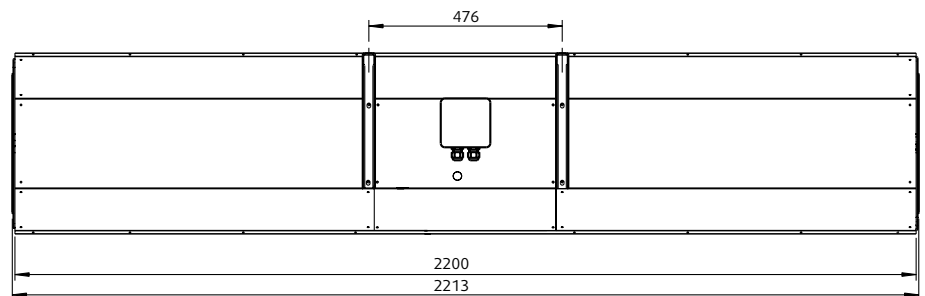
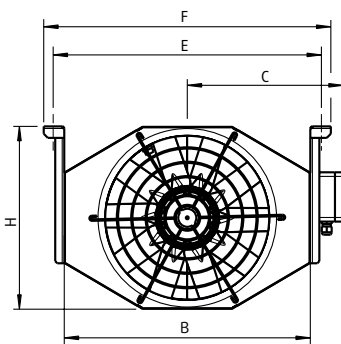
- Dual use: For daily ventilation and smoke extraction in case of fire F300 (300°C/120 min.)
- Aerodynamical impellers for maximum thrust and with low sound level (reversible impellers on request)
- Motors IP54, insulation class H (smoke extract); Motors IP55, insulation class F (CO-exhaust), according to EN 60045-5/IEC 85
- Tested inspection switch optional
- Shapely, low design-casing
- Casing manufactured from galvanized steel
- Removable fan module also after installation for easy maintenance
- Certified to EN 12101-3
- CE-certification by TÜV Süd
- Approved by DIBt in Berlin under Z-78.11-182

Technical data:

Jet fan AJ8 400V/50Hz	Thrust	Air volume	Motor rated power	Motor rated current	Speed	Sound level 3 m, from center of casing	Weight	Temperature
	N	m ³ /h	kW	A	rpm	LpA dB	kg	
AJ8 315-2	23	4400	0,75	1,99	2900	62	82	55°C
AJ8 315-2/4	23/6	4400/2200	0,75/0,17	2,14/0,75	2860/1420	62 / 47	84	55°C
AJ8 355-2	37	6300	1,1	2,5	2900	69	88	55°C
AJ8 355-2/4	37/9	6300/3150	1,4/0,3	3,13/1,11	2880/1430	69 / 54	90	55°C
AJ8 400-2	55	7700	1,5	3,3	2840	73	97	55°C
AJ8 400-2/4	55/11	7700/3850	1,9/0,4	4,18/1,47	2885/1435	73 / 58	99	55°C
AJ8 315-2 (B)	23	4400	0,75	1,8	2900	62	82	300°C/120 Min.
AJ8 315-2/4 (B)	23/6	4400/2200	0,75/0,15	1,6/0,4	2880/1450	62 / 47	84	300°C/120 Min.
AJ8 355-2 (B)	37	6300	1,1	2,5	2870	69	88	300°C/120 Min.
AJ8 355-2/4 (B)	37/9	6300/3150	1,3/0,25	3,1/0,68	2905/1460	69 / 54	90	300°C/120 Min.
AJ8 400-2 (B)	55	8700	1,5	3,2	2870	73	97	300°C/120 Min.
AJ8 400-2/4 (B)	55/11	8700/4350	1,8/0,37	3,9/0,95	2880/1455	73 / 58	99	300°C/120 Min.

Air volume related to air density 1,2 kg/m³

Dimensions:



Size	H	B	C	E	F
315	365	550	355	635	650
355	395	550	355	635	650
400	445	600	380	684	700

All dimensions in mm.